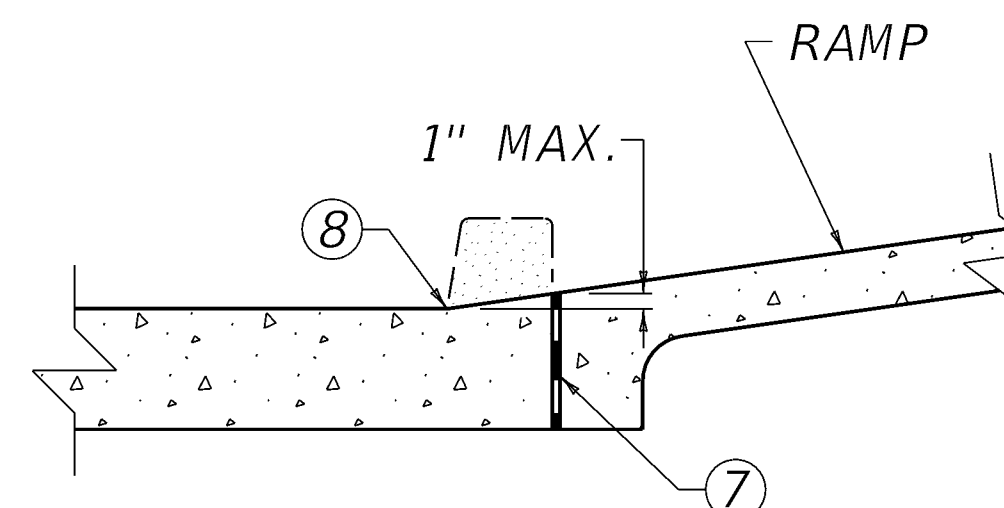
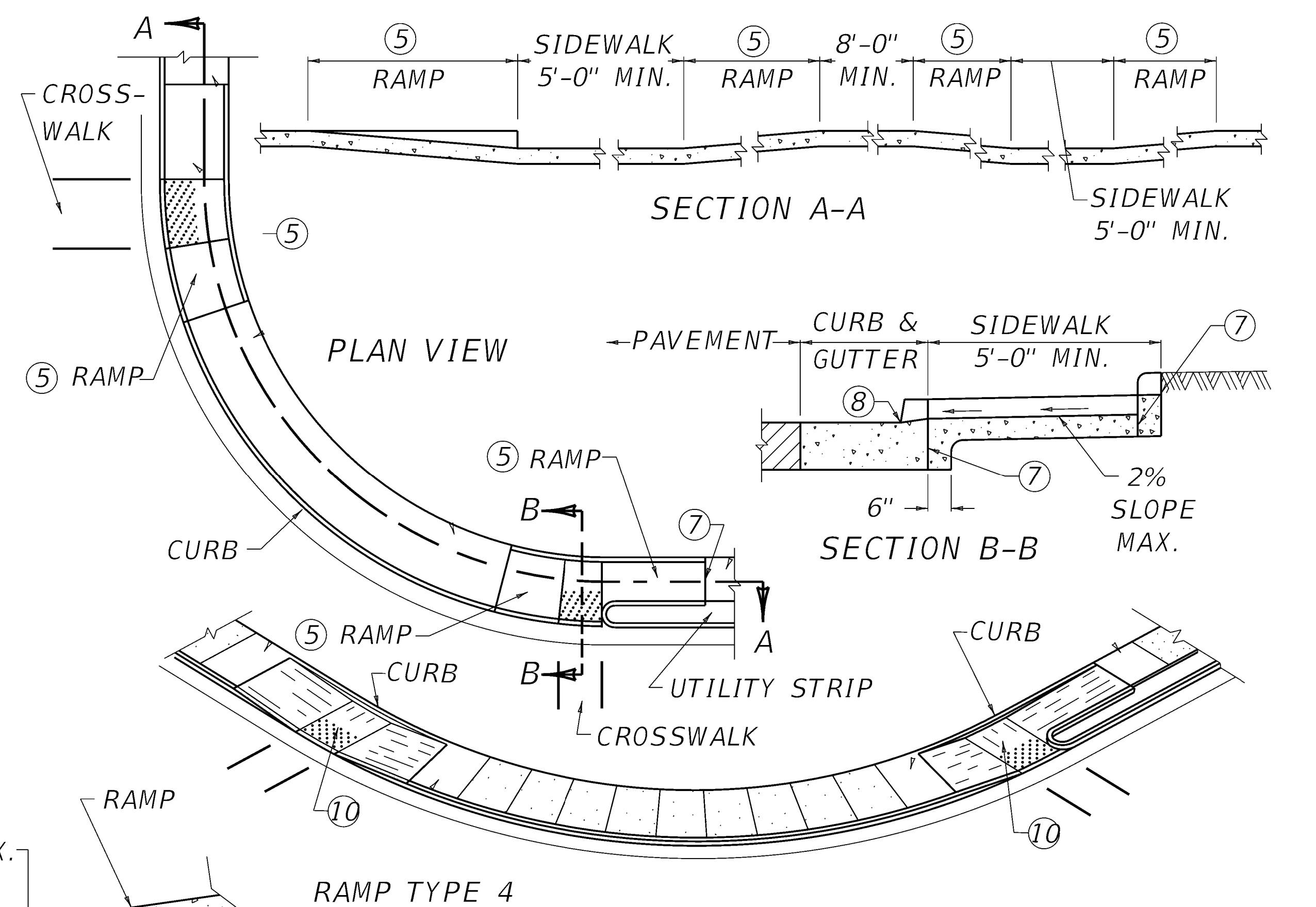
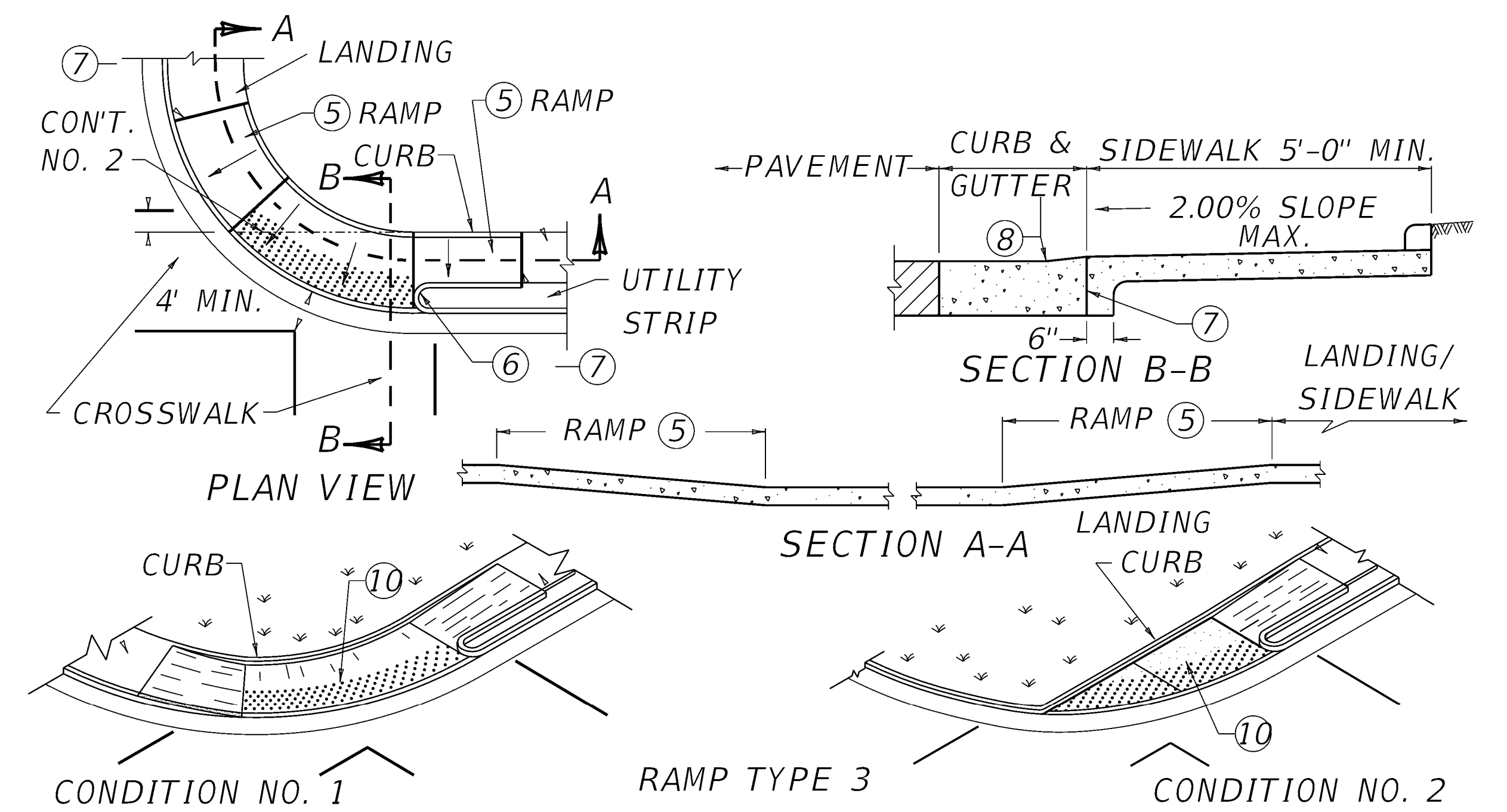


~ NOTES ~

1. THE RAMP SHALL BE CONSTRUCTED OF CLASS "A" CONCRETE. A BROOM FINISH OR EQUAL NON-SKID FINISH IS REQUIRED. DETECTABLE WARNINGS SHALL BE A SEPARATE BID ITEM.
2. RAMPS SHALL BE PAID PER SQ. YD. OF 4" CONCRETE SIDEWALK AND THE UNIT PRICE SHALL INCLUDE ALL MATERIALS, FORMS, CURB BEHIND RAMP AND LANDING, AND INCIDENTALS NECESSARY FOR CONSTRUCTION.
3. THE NORMAL GUTTER LINE SHALL BE MAINTAINED THROUGH THE AREA OF THE RAMP.
4. RAMP TYPE 3 SHOULD BE USED PRIMARILY IN A RETROFIT TYPE CONDITION.
- ⑤ CURB RAMP GRADE SHALL NOT EXCEED 12:1, CROSS SLOPE SHALL NOT EXCEED 2.00%. ON RETROFIT CURB RAMPS, GRADES OF 12.5% FOR 2'-0" OR 10% FOR 5'-0" ARE PERMISSIBLE.
- ⑥ CURB RETURN REQUIRED WHEN UTILITY STRIP IS 4' OR GREATER. FOR UTILITY STRIPS LESS THAN 4', THE AREA IS TO BE SURFACED WITH SIDEWALK WITHIN THE RAMP.
- ⑦ 1/2" EXPANSION JOINT AT BACK OF CURB LINE AND AT SIDEWALK LINE.
- ⑧ NO BUMP PERMITTED. SAME SLOPE AS RAMP AND NOT TO EXCEED 1" IN HEIGHT. RAMPS SHALL BE CONSTRUCTED SO THAT WATER WILL NOT ACCUMULATE ON WALKING SURFACES.
- ⑨ LANDINGS WILL PROVIDE A LEVEL AREA (MAX. 5% GRADE OR CROSS SLOPE) AT APPROXIMATE STREET ELEVATION. A 4' SQUARE LEVEL LANDING IS THE REQUIRED MINIMUM.
- ⑩ LANDINGS WILL PROVIDE A LEVEL AREA (MAX. 2.00% GRADE OR CROSS SLOPE) AT APPROXIMATE STREET ELEVATION. A 4' SQUARE LEVEL LANDING IS THE REQUIRED MINIMUM.

BID ITEMS AND UNIT TO BID
 SIDEWALK-4 IN CONCRETE SQYD
 DETECTABLE WARNINGS SQFT



USE WITH CUR. STD. DWG.RGX-040

SUBMITTED *W. J. Laysan* DIVISION DIRECTOR 05-03-2024 DATE



COMMONWEALTH OF KENTUCKY
 DEPARTMENT OF HIGHWAYS

DRAWING TITLE: SEPIA 041 - SIDEWALK RAMPS

ITEM NO. COUNTY OF

SHEET NO.